



FIREWORKS SAFETY BOOKLET

FIRE PREVENTION

When using in rural areas be extra careful; do not use near dry grass or bushland.

Clear ALL flammable material around the fireworks to a distance of 5M

Have ready some means of putting out a fire e.g. Extinguisher/garden hose/fire fighting pump

LIGHTING DEVICES

Windproof gas jet style butane lighters are the best gas lighters and are available from many Service Stations and Tobacconists. The standard BIC lighter is not good enough as it will blow out in the wind.

Incense sticks or "Punks" (Tapers) burn for 20 minutes with a glowing tip that can light fuses. Blowing on the tip before touching it to fuse will make it glow hotter. These may have been provided.

LIGHTING TECHNIQUE

Position the fireworks so that all the fuses are facing the same way so that it is easy to locate them in the dark.

When lighting never place any part of your body over the top of a firework.

Golden Rule

Never return to a firework that has failed to light.

PERSONAL SAFETY EQUIPMENT

- Safety glasses for eye protection.
- Non synthetic clothing preferably cotton overalls buttoned at the neck
- Cotton cap to prevent sparks falling in the hair

ASSISTANTS DUTIES

It is necessary to have an assistant who must take responsibility for crowd control, manning fire fighting measures and ensuring that during the display no debris is falling outside of the firing site.

You are responsible for ensuring that any assistants have an adequate understanding of the hazards, safety rules and instructions.

STORAGE

Store out of the reach of curious children in a building (other than a dwelling or office) that is locked in the absence of a responsible adult. When transporting, store in the boot compartment, not passenger area.

AFTER THE DISPLAY

Never throw used fireworks in the Bonfire

As any unexploded tubes may ignite and shoot out at bystanders causing serious injury

Check the surrounding area for components of the fireworks that have failed to explode. Remove otherwise children will pick them up and may injure themselves.

Never give away the used fireworks as they may still contain live components.

YOU WILL NEED

- A torch preferably a head torch so your hands are free.
- Flat boards and a couple of bricks/nails & silver duct tape

Hammer,
Bucket of sand,
Wooden pole/
piece of timber/
star dropper,
Lighter and
Safety Glasses.



★ No. 1 SAFETY TIP
PREVENT “TIP OVER”

All Multi-Shots & Roman Candles MUST BE SUPPORTED.



SET UP MADE EASY

Divide the fireworks into groups according to the WARNING description that is written on all items. See product set up page for more info.

Uncover all the fuses.

Set up and lay out all fireworks before your display.

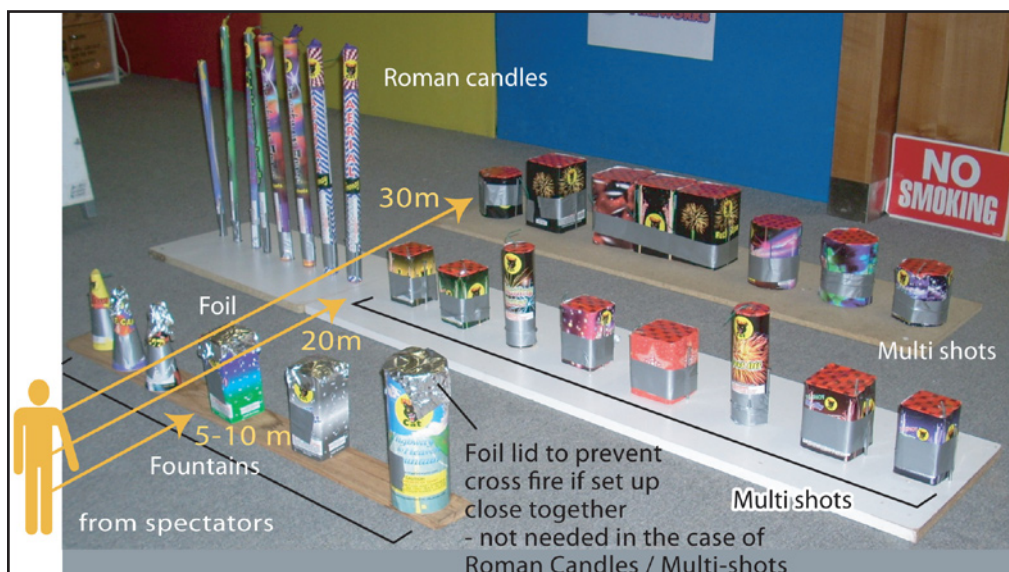


REMEMBER

Aerial items need to be secured to prevent them from tipping over and firing sideways at spectators.

An efficient method is to have all items secured on boards by strapping them with tape (duct or gaffer etc) to long nails or screws driven into manageable sized lengths of wooden board.

The fireworks on the boards can be prepared days in advance and kept in a shed, vehicle or under a tarpaulin or sheets of plastic at the display site. This method allows the fireworks to be kept out of the weather and placed into position at the last minute.





Product Set Up

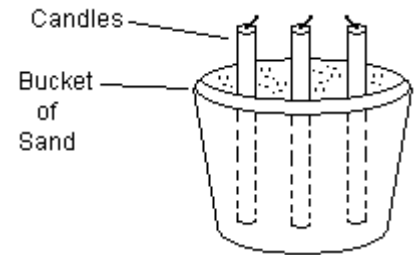


Multi-shot / Roman Candle

Roman candle,
Roman candle combination and
Roman candle fountain combination

Warning on Label

- "Shoots flaming balls"
- "Emits flames/sparks/smoke/report"

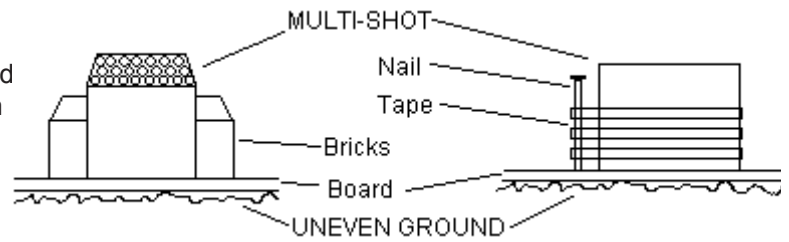


A simple set up method

Prevent Tip Over - All items must be supported or secured because they may tip over and fire at spectators if used on grassed or uneven surfaces.

Set Up Tip - Make sure they can't fall over

Viewing distance - 20-50 metres (depending on size of item)



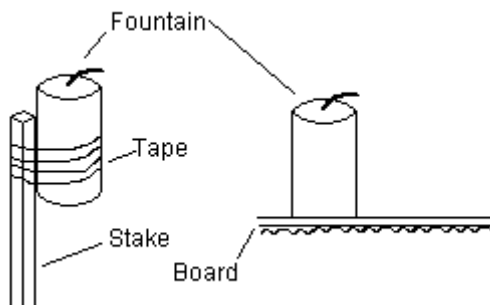
Set up method for larger quantity

Fountain Set Up

Warning - "Emits showers of sparks"

SET UP TIP - Flat surface or elevate

Viewing - 5 metres

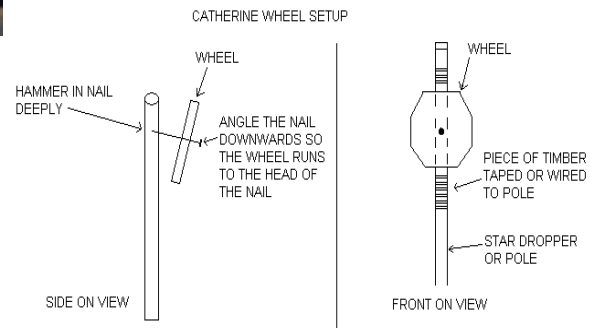


Catherine Wheel Set Up

Warning - "Emits showers of sparks"

SET UP TIP - Nail to post and elevate

Viewing - 5 metres



Flyer Set-Up

Warning - "Spins on ground shoots upward"

SET Up Tip - Flat surface for lift off

Viewing - 15 metres



Place item on the flattest surface available
Concrete is best. Alternatively a flat board
2m x 2m or paving could substitute.

Ground Spinner Set-Up

Warning - "Spins on ground emits sparks"

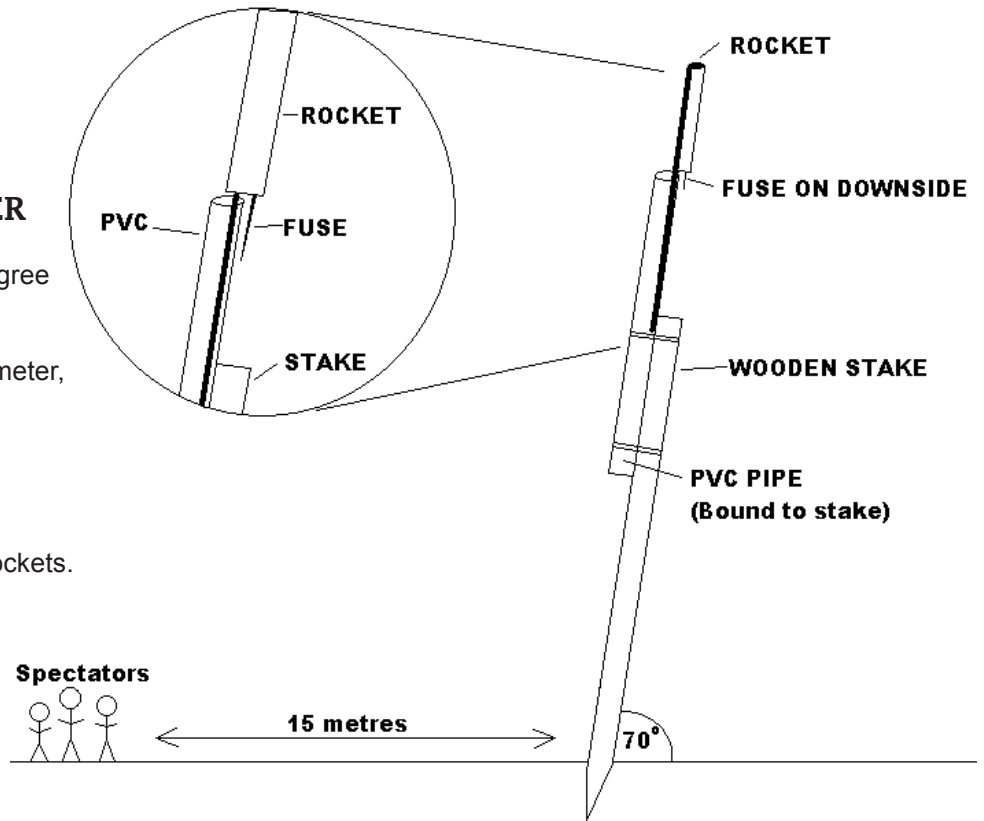
SET UP TIP - Flat surface for best performance

Viewing - 5 metres



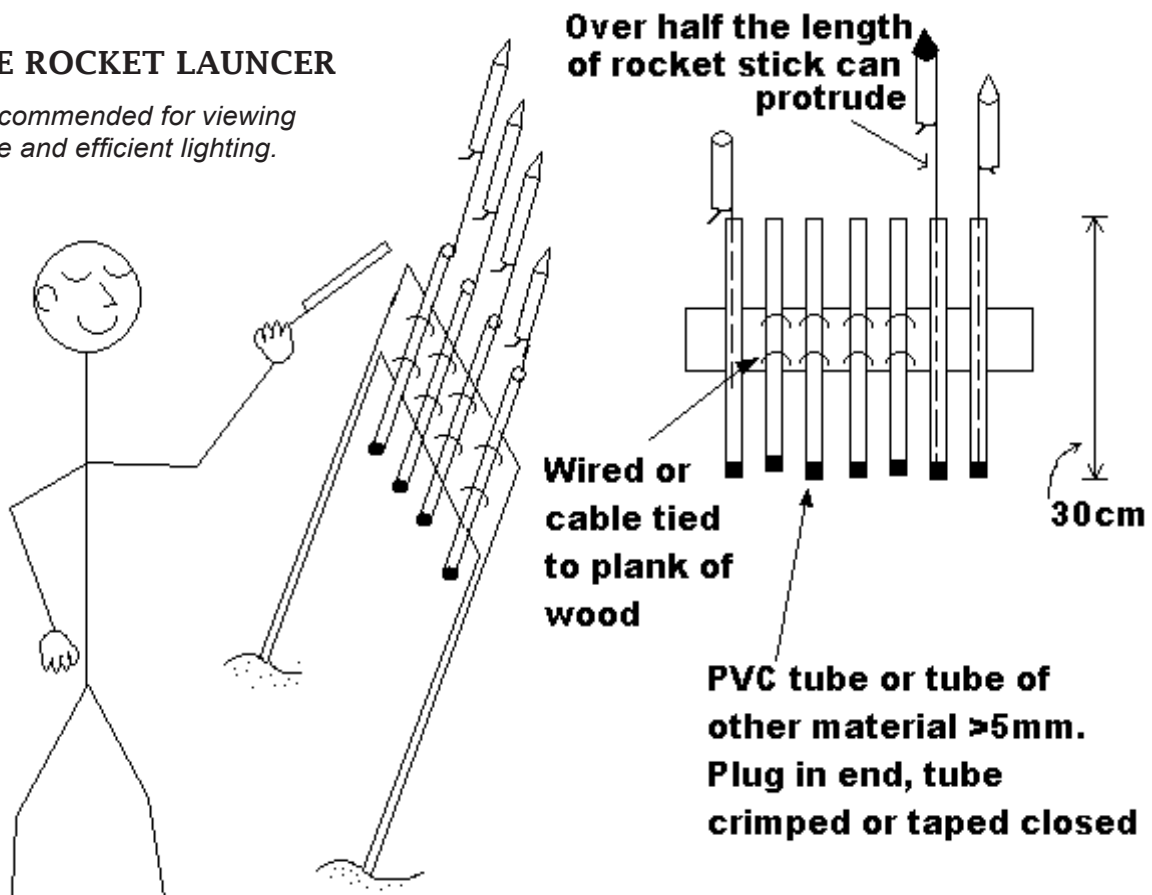
SINGLE ROCKET LAUNCHER

1. Hammer stake into ground at a 75 degree angle away from the audience.
2. Bind a PVC pipe, at least 5mm in diameter, to stake with cable ties or tape.
3. Plug the bottom of your PVC pipe to prevent the rocket falling out.
4. Remove plastic fuse cover on large rockets.



MULTIPLE ROCKET LAUNCHER

Highly recommended for viewing pleasure and efficient lighting.



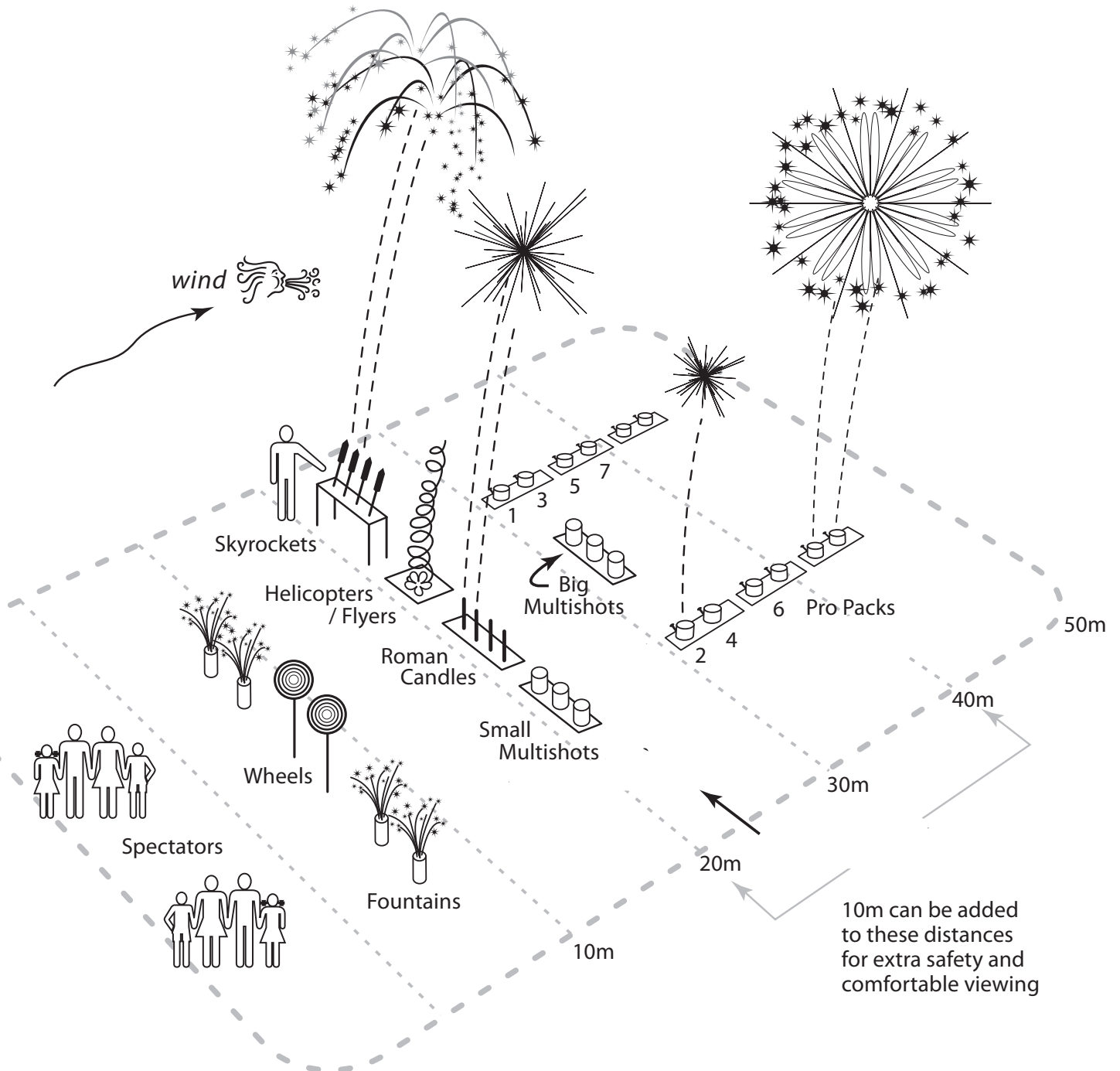


Layout Your Fireworks



DISPLAY LAYOUT

- Give yourself plenty of time to set up the fireworks
- Have an area marked for spectators. Flag or rope off the area.
- Ensure the different types and sizes of fireworks are positioned the appropriate distances from the spectator area as specified in the diagram below.



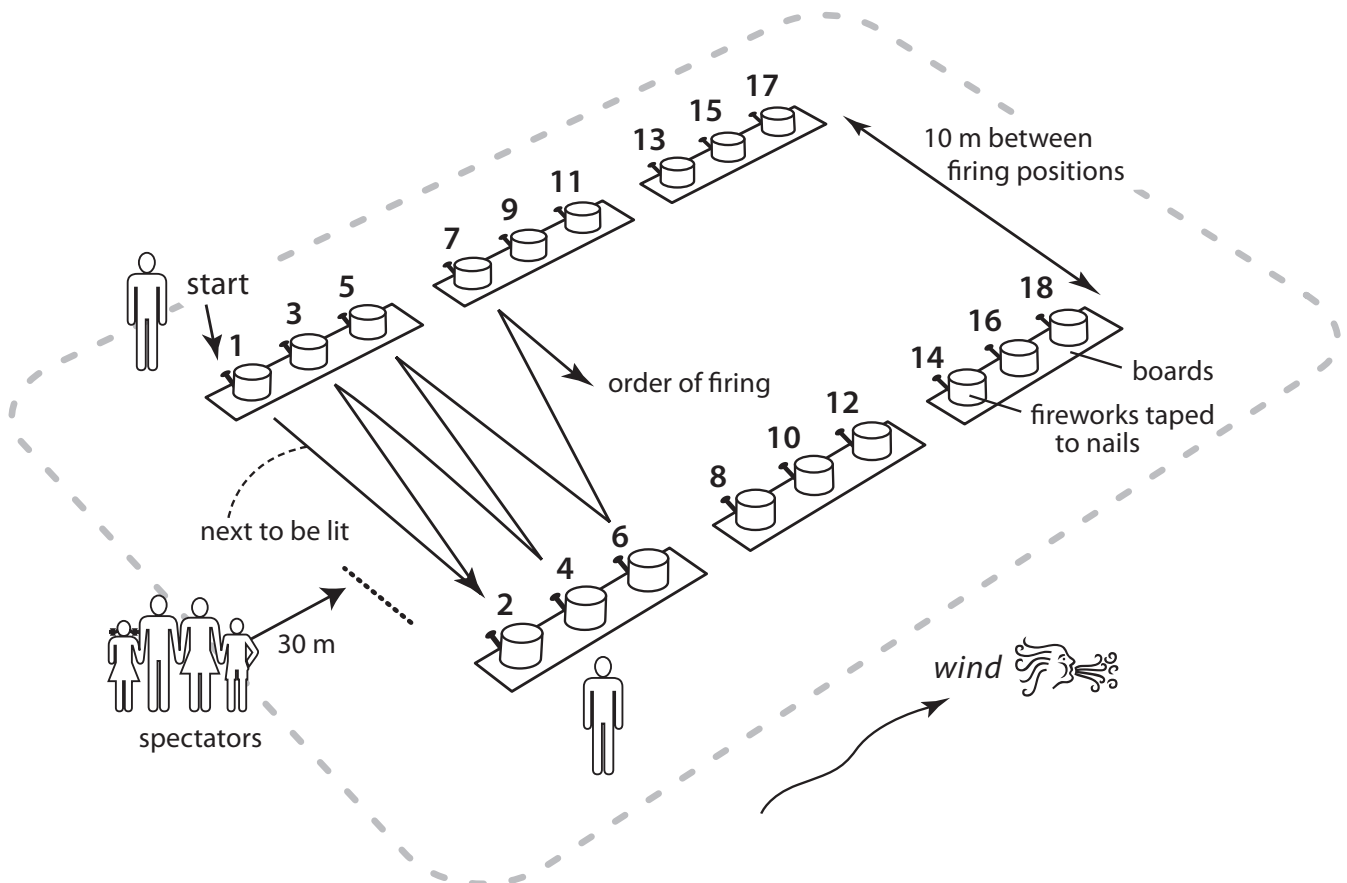


FIRING THE DISPLAY MADE EASY

The person who actually lights the display often complains that they don't get a chance to see much of the fireworks because they are very close to the action and are too busy with their head down lighting the next firework. Good planning can give you more space and time to see much more of your own show.

This is achieved by dividing your display into two firing positions 10 meters apart. By laying out the fireworks in the correct firing order you will be able to conduct the display by walking back and forth between the two firing positions allowing you to get a comfortable distance away from the currently firing firework and be ready to light the next one.

Having an assistant to help you fire the display will allow you to have one person stationed at each firing position. The display can be conducted by alternating firing between the two firing positions.





FIREWORKS



FIREWORKS



FIREWORKS